

**The Benefits of a Solid-State Electricity Meter**

- **Reliable, Accurate Metering**
- **Cost-Effective**
- **Convenient**
- **Easy To Install**

**Features**

- Easy installation
- UL listed, complies with FCC rules and regulations
- Automatic CT wiring alerts.
- Sealable
- Nonvolatile memory - no battery required
- Models compatible with most 0.1A current transformers, including split core types
- Readout: LCD display on face of meter; 6-digit dials, backlighted
- Easy to use multipliers - same for kWh and kW



**Accurate, Reliable Solid-State Technology**

The IntellimeterAP Register is a convenient, cost-effective, solid-state demand meter that measures and records electrical energy usage in tenant monitoring applications such as commercial buildings, high rises, shopping malls, campuses and other multiple point operations. The AP Register provides accurate and reliable information to help you manage electricity expenses.

The AP Register has a local backlighted dial display for on-site reading and is equipped with a 1:1 kWh pulse output for AMR or remote reading by an energy management system.

**Easy to Install and Use**

The AP Register is easily installed next to the electrical lines supplying the load to be measured. Tap into the voltage, install the solid or split-core current transformers around the wires carrying current to the load and the job is complete. No rewiring or meter sockets are necessary and you can install the AP Register without interrupting service to the rest of the building. AP Register models are available for use with low-cost 0.1 Amp output current transformers. The AP Register will detect and provide alerts on the display if CTs are installed backwards.

**Flexible and Convenient**

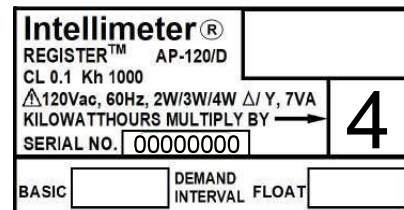
The AP Register is factory set to measure the kWh consumption and Peak kW Demand. You may select the demand interval programmed at the factory according to your needs by having a demand reset switch installed.

**SPECIFICATIONS**

- Power Factor** ..... Accurate at any
- Temperature** ..... -20°C to +50°C
- Humidity** ..... 0-95%, non-condensing
- Accuracy** ..... Exceeds ANSI C12.1
- Memory** ..... Nonvolatile EEPROM
- Burdens** ..... 7VA max overall, 0.1VA current circuit
- Approvals** ..... UL/CUL
- Enclosure Dimensions** ..... 8"W x 10"H x 3"D
- Readout** ..... LCD (Backlit)
- Current Transformers** ..... 0.1A secondary
- Options** ..... Demand Reset switch and programming.

**Sample Readout**

This sample shows how easy and straight-forward the AP Register's LCD display is to read.



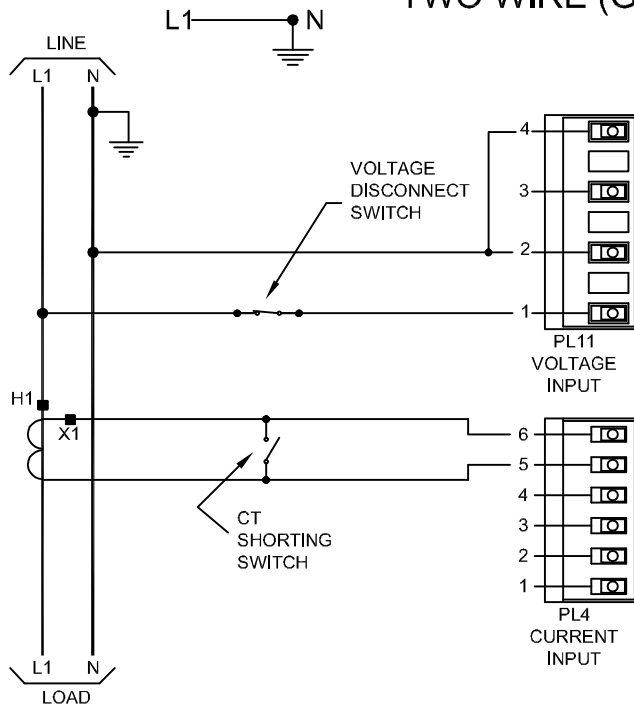
203	This month's reading
- 22	Last month's reading
181	Tenant's consumption
181	Tenant's consumption
x 4	Multiplier
724	kWh
x 0.11203	Cost per kWh
\$81.11	Tenant's bill

**MODEL SELECTION**

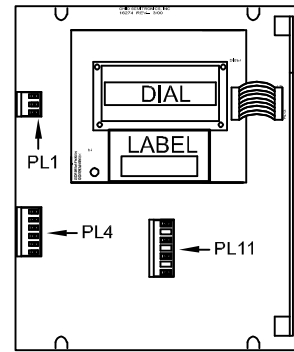
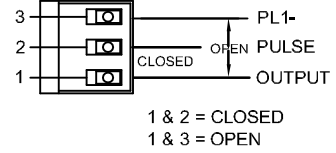
ELECTRICAL SERVICE	SINGLE-MODEL	DUAL MODEL
120V, 1PH, 2W	AP-120/D	ABP-120/D
120/240V 1PH, 3W	AP-120/D	ABP-120/D
120/208V 3PH, 4W (Wye)	AP-120/D	ABP-120/D
277/480V 3PH, 4W (Wye)	AP-277/D	ABP-277/D

Visit Us On The Web  
<http://www.oscsubmetering.com>  
 e-mail: [oscorders@ohiosemitronics.com](mailto:oscorders@ohiosemitronics.com)

## TWO WIRE (GROUNDED)

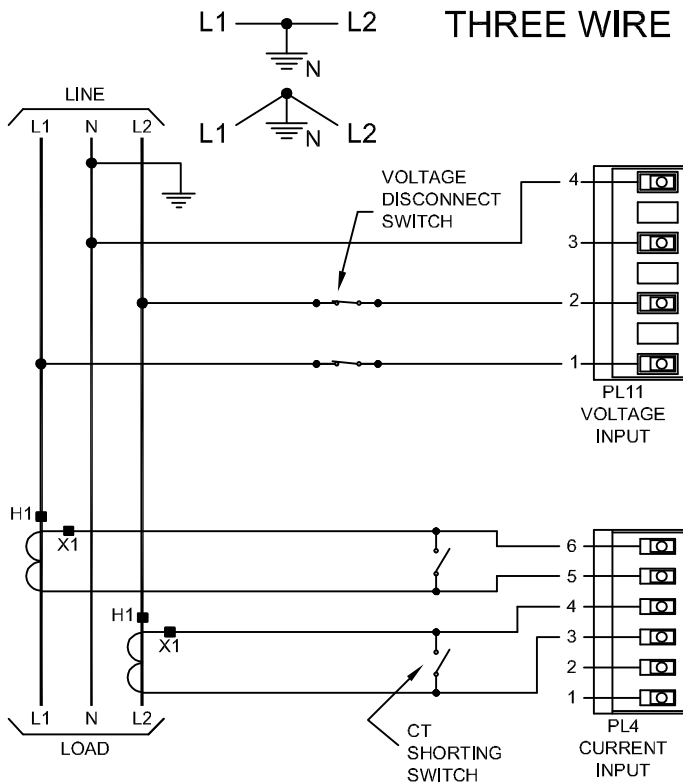


ELECTRICAL SERVICE	METER
1PH 2W 120Vac	AP-120/D
1PH 2W 120Vac	ABP-120/D

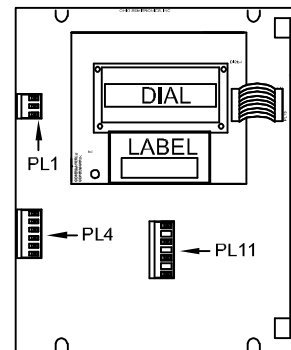
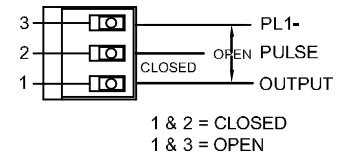


0902-01055-A Rev-B

## THREE WIRE (GROUNDED)

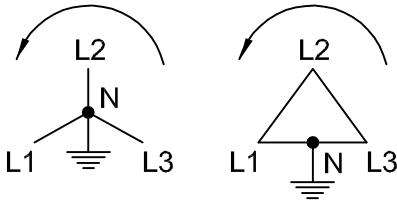


ELECTRICAL SERVICE	METER
120/240V 1PH 3W	AP-120/D
120/240V 1PH 3W	ABP-120/D

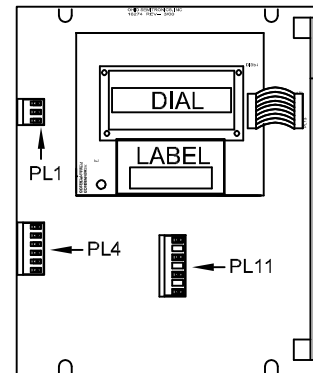
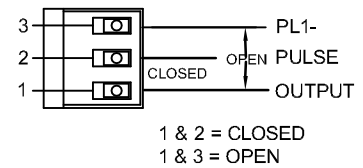
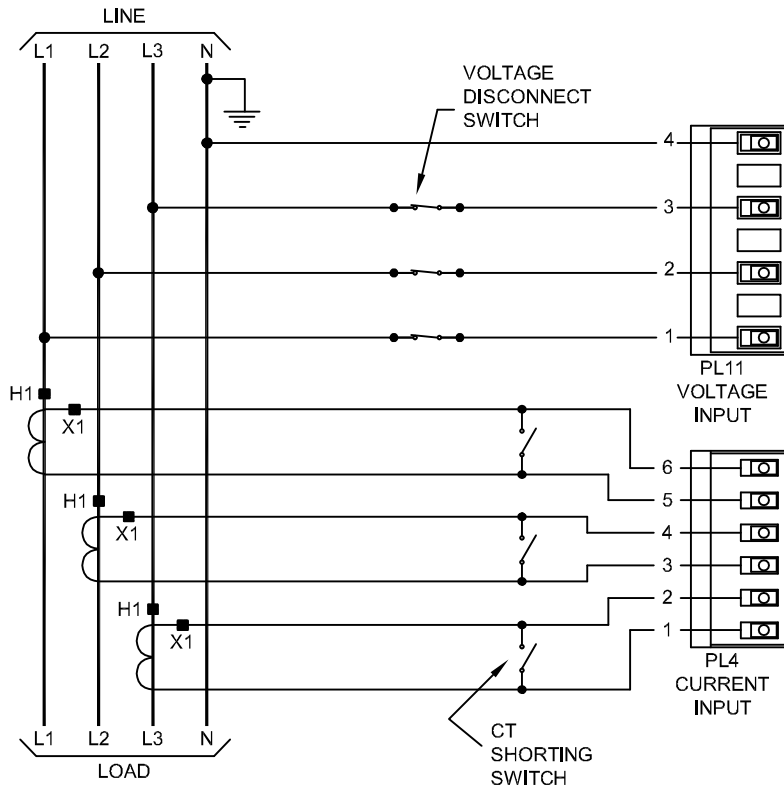


0902-01055-A Rev-B

## FOUR WIRE

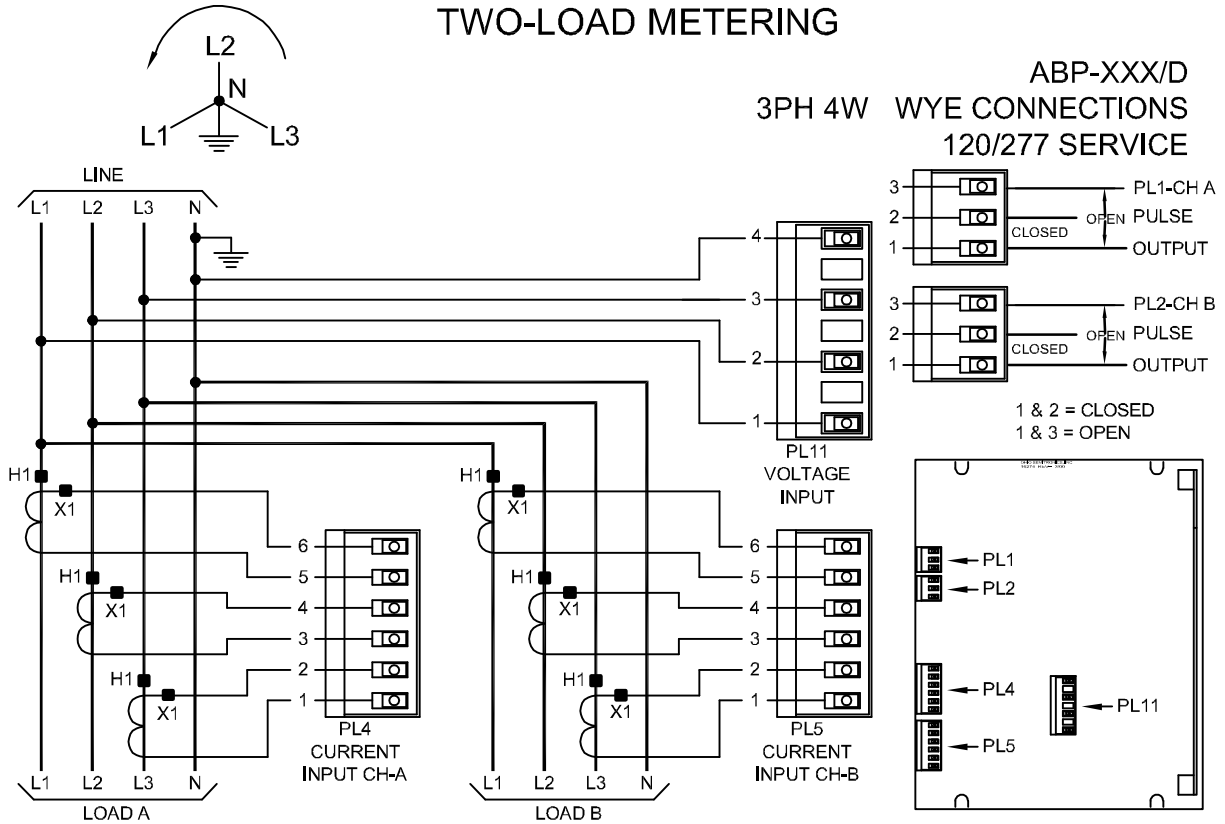


ELECTRICAL SERVICE	METER
3PH, 4W, WYE 120/208Vac	AP-120/D
3PH, 4W, WYE 120/208Vac	ABP-120/D
3PH, 4W, WYE 277/480Vac	AP-277/D
3PH, 4W, WYE 277/480Vac	ABP-277/D



0902-01055-A Rev-B

TWO-LOAD METERING



TWO-LOAD METERING

